

# RICOH MH2610F/2810F

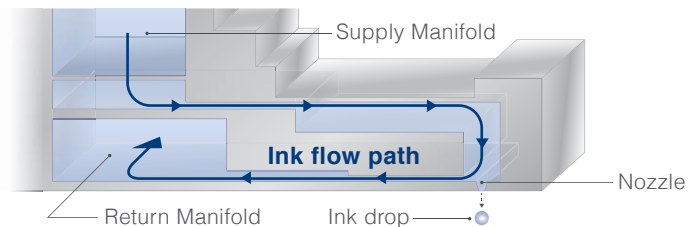
This series of stainless steel print heads feature “Flow Through” functionality offering improved jetting performance for single pass applications as well as heavily loaded inks.



## Stainless Steel Print Head with “Flow Through” functionality and enhanced jetting reliability

The “Flow Through” functionality of this series of stainless steel print heads enables:

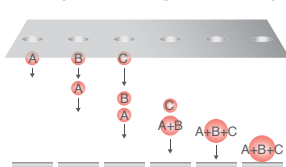
- Improved handling of heavily loaded pigment inks
- Increased reliability for single pass applications
- Greater fluid temperature control
- Improved nozzle up-time performance
- Reduced printer maintenance frequency



### Variable drop volume capability

The multi-drop capability allows the creation of a range of drop sizes enabling grey-scale printing.

Conceptual drawing of multi-drop



### Excellent durability and extended service life

Ricoh inkjet print heads are made of stainless steel. These heads are highly robust and offer excellent anti-corrosion properties for multiple inks, resulting in excellent durability and extended service life.

### Support for different inks

With its built-in heater, these heads are capable of jetting high-viscosity inks. Additionally, the ink path is isolated from the actuator (piezo elements), i.e. no ink contact.

# Inkjet head with support for droplet enlargement and high-viscosity inks

Choose from two models to suit your application with droplet volumes of 15-27pl and 27-50pl.

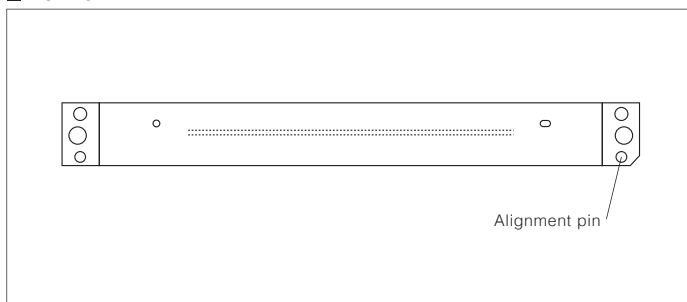
## MH2610F/2810F



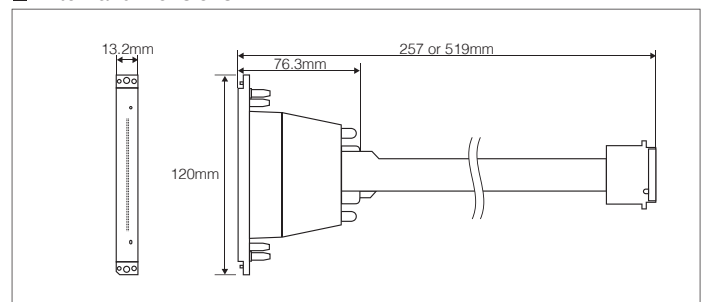
MH2610F/2810F	
Method	Piston pusher with metallic diaphragm plate
Print Width	64.861mm
Number of nozzles	384 (2 x 192 channels), staggered
Nozzle spacing (1 color printing)	1/150" (0.1693 mm)
Nozzle spacing (Row to row distance)	0.9948mm
Compatible ink	UV, Solvent, Aqueous, Others. Handle heavy loaded pigmented inks
Total printhead dimensions	120(W) x 76.3(D) x 13.2(H) mm (4.72" x 3" x 0.52") excluding cables & connectors
Weight	126 g
Ink color	Mono color
Operating temperature range	Up to 80°C
Temperature control	Integrated heater and thermistor
Life	100 billion actuations per nozzle
Jetting frequency*	Binary mode : 30kHz / Grey-scale mode : 20kHz
Drop volume*	MH2610F: Binary mode: 15pl / Grey-scale mode : 15 to 27pl *depending on the ink MH2810F: Binary mode: 27pl / Grey-scale mode : 27 to 50pl *depending on the ink
Viscosity range	10-15 mPa·s
Surface tension	28-35mN/m
Grey-scale*	3
Total Length	257mm or 519mm including cables
Ink port	Hose Barb or O-Ring
Number of ink ports	4 Ports (2X IN/2X OUT)
Head to Head Alignment pin direction	Front or Back

\* Dependent on ink and system design.

### ■ Nozzle



### ■ External dimensions



- Product appearance and specifications may be changed without prior notice for improvement purposes.
- Company and product names are trademarks or registered trademarks of their respective companies.
- Please contact your sales representative for details on performance, specifications, and restricting conditions, etc.

**RICOH**  
imagine. change.

● Inquiries and orders: