

Industrial Inkjet

RICOH MH2620/2820

RICOH
imagine. change.

This print head family delivers large image drop size jetting capability. Supports high-viscosity ink and operating temp to 80°C.



Droplet enlargement

This head is capable of jetting a variety of ink types in large droplet sizes. Please choose from two models to suit your application: Multi-drop 15-45pl (MH2620) or 27-54 pl (MH2820)

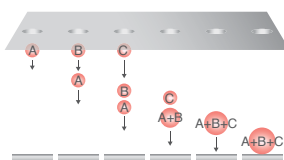
Heated operation up to 80°C

The built-in heater heats the ink to up to 80°C for jetting, providing support for high-viscosity inks.

Variable drop volume capability

The multi-drop capability allows the creation of a range of drop sizes enabling grey-scale printing.

Conceptual drawing of multi-drop



Excellent durability and extended service life

Ricoh inkjet print heads are made of stainless steel. These heads are highly robust and offer excellent anti-corrosion properties for multiple inks, resulting in excellent durability and extended service life.

Support for different inks

With its built-in heater, these heads are capable of jetting high-viscosity inks. Additionally, the ink path is isolated from the actuator (piezo elements), i.e. no ink contact.

Inkjet head with support for droplet enlargement and high-viscosity inks

Choose from two models to suit your application with droplet volumes of 15-45pl and 27-54pl.

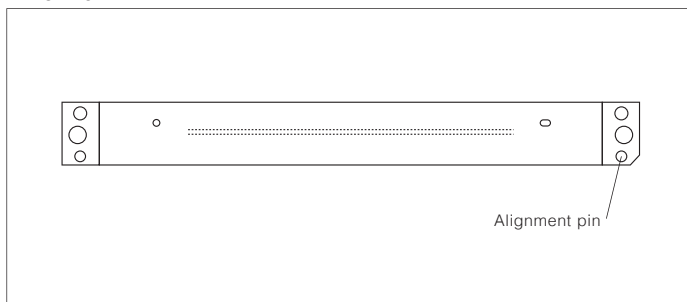
MH2620/2820



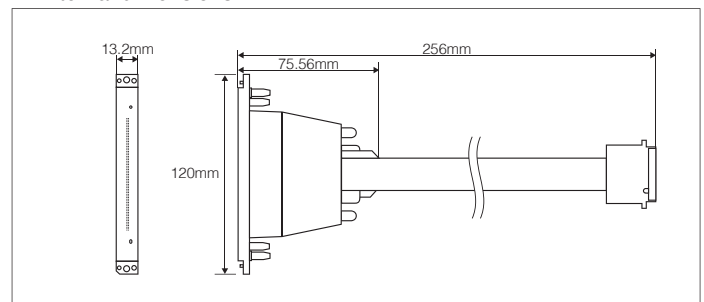
	MH2620	MH2820
Method	Piston pusher with metallic diaphragm plate	
Print Width	64.9 mm(2.6")	
Number of nozzles	384 (2 x 192 channels), staggered	
Nozzle spacing (Within a row)	1/75"(0.339 mm)	
Nozzle spacing (Row to row distance)	0.9948 mm	
Compatible ink	UV, Solvent, Aqueous, Others.	
Total printhead dimensions	120(W) x 75.56(D) x 13.2(H) mm (4.72" x 3.0" x 0.5") excluding cables	
Weight	108 g	
Max.number of color inks	2 colors	
Operating temperature range	Up to 80°C	
Temperature control	Integrated heater and thermistor	
Drop volume/Jetting frequency	MH2620 : 15pl - 30kHz, 30pl - 20kHz, 45pl - 14kHz *depending on the ink	27pl - 30kHz, 54pl - 20kHz *depending on the ink
Viscosity range	11-13 mPa·s	
Surface tension	28-35mN/m	
Grey-scale	4 levels	3 levels
Total Length	256 mm (standard) including cables	
Ink port	Yes (standard) / No (optional)	
Number of ink ports	1 color : 1 x dual / 2 colors: 2 x dual	
Alignment pin direction	Front (standard) / Back (optional)	

* Results obtained from continuous jetting test using standard Ricoh test ink.

■ Nozzle



■ External dimensions



- Product appearance and specifications may be changed without prior notice for improvement purposes.
- Company and product names are trademarks or registered trademarks of their respective companies.
- Please contact your sales representative for details on performance, specifications, and restricting conditions, etc.

RICOH
imagine. change.

● Inquiries and orders: